

TRAIL PROVEN OFF-ROAD PERFORMANCE

SCX10™

2012 JEEP® WRANGLER UNLIMITED
C/R EDITION

1/10th SCALE ELECTRIC 4WD RTR



 **axial**®

www.axialracing.com

SCX10

CAUTIONS



To prevent serious personal injury and/or property damage, operate all remotely controlled models in a responsible manner as outlined herein.

CHOOSE THE RIGHT PLACE TO OPERATE YOUR R/C MODEL.

- Do not run on public streets or highways. This could cause serious accidents, personal injuries, and/or property damage.
- Never run R/C models near people or animals.
- To avoid injury, do not run in confined spaces.
- Do not run where loud noises can disturb others, such as hospitals and residential areas.
- Never run indoors. There is a high risk of fire and/or damage.

INSPECT YOUR MODEL BEFORE OPERATION.

- Make sure that all screws and nuts are properly tightened. It is also a good idea to use removable thread lock wherever metal screws go into metal, especially for engine mounts and the engine pilot shaft.
- Always use fresh batteries for your transmitter and for your receiver to avoid losing control of the model.
- Always test the brakes and throttle before starting your engine to avoid losing control of the model.

AFTER OPERATION OF YOUR R/C MODEL

- Turn off receiver first, then turn off transmitter, this will prevent runaways.
- Be careful when handling batteries, they will be hot after running.
- Replace any batteries that have been dented or have frayed wires, short circuits can cause fire.
- Be sure to keep your R/C model clean and free of excess dirt and grease, this will increase the life.

VORSICHT!



Um Verletzungen an Personen und/oder Sachschäden zu vermeiden, sollten alle ferngesteuerten Modelle sorgfältig und verantwortungsbewusst bedient werden, wie nachfolgend beschrieben.

Wählen Sie den richtigen Platz zum Fahren

- Fahren Sie niemals auf öffentlichen Straßen. Dies könnte Verkehrsunfälle, Personen schäden oder Sachschäden verursachen.
- Fahren Sie niemals in der Nähe von anderen Personen oder Tieren.
- Fahren Sie niemals auf belebten Straßen.
- Fahren Sie nie in der Nähe von Wohnhäusern oder Krankenhäusern. Der Lärm könnte andere Personen stören.
- Fahren Sie niemals in Innenräumen. Dort könnte etwas beschädigt werden.

Überprüfen Sie Ihr Modell, bevor Sie es in Betrieb nehmen.

- Gehen Sie sicher, dass alle Schrauben und Muttern festgezogen sind. Verwenden Sie überall dort Schrauben-Sicherungslack, wo Metallschrauben in ein Metallgewinde greifen, besonders bei den Motorhaltern.
- Um Störungen zu vermeiden, benutzen Sie immer voll geladene Akkus in Ihrem Sender und Empfänger.
- Bevor Sie den Motor starten, sollten Sie immer die Funktion der Bremse und des Gashebels testen.

Nach Betrieb des RC Modells:

- Zuerst den Empfänger abdrehen, dann den Sender abdrehen um unkontrolliertes Durchgehen zu vermeiden.
- Seien Sie vorsichtig mit gebrauchten Akkus, sie können nach dem Gebrauch heiß sein.
- Ersetzen Sie Akkus/Batterien die beschädigt sind oder schadhafte Kabel aufweisen, sie können Kurzschlüsse oder Feuer verursachen.
- Halten Sie Ihr Fahrzeug sauber und entfernen Sie Schmutz und Schmierfett, damit erhöhen Sie die Lebensdauer Ihres Modells.

PRECAUTIONS



Afin d'éviter toutes blessures corporelles et/ou dommages environnants, veuillez procéder en toute responsabilité comme indiqué ci-dessous

Choisir le lieu adéquat pour faire rouler votre modèle.

- Ne jamais rouler dans les rues ou sur les routes ouvertes au public. Ceci peut provoquer de graves accidents.
- Ne jamais rouler près de personnes ou d'animaux.
- Pour éviter les blessures, ne pas rouler dans des espaces confinés.
- Ne jamais rouler où le bruit peut déranger, comme aux abords des hôpitaux ou des quartiers résidentiels.
- Ne jamais rouler à l'intérieur: les gaz d'échappement sont nocifs.

Controler votre modèle avant chaque utilisation.

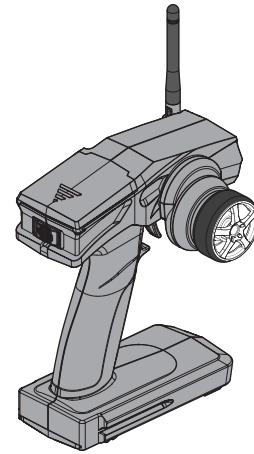
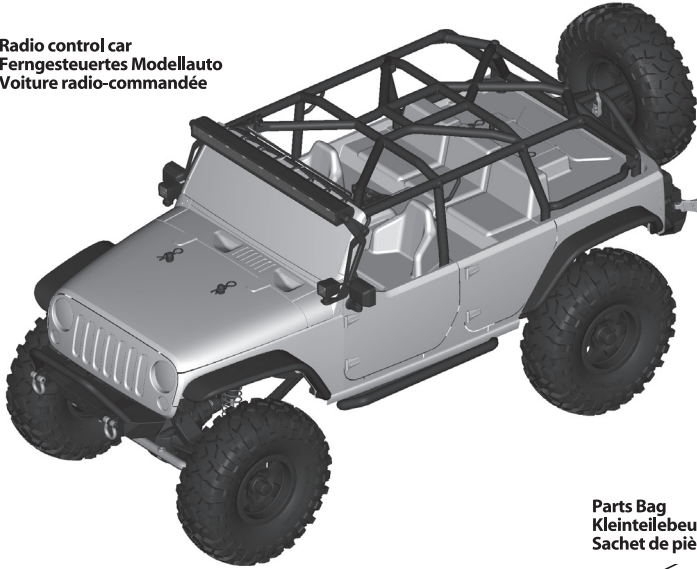
- Vérifier que les vis et les écrous sont bien serrés. Il est très fortement conseillé d'utiliser du frein filet pour bloquer les vis qui sont en contact avec du métal et tout particulièrement les vis du moteur.
- Toujours utiliser des batteries bien chargées pour l'émission et la réception.
- Toujours vérifier les freins et la commande des gaz avant de démarrer.

Après l'Opération De Votre Modèle de R/C

- Le virage du récepteur premier, alors virage de l'émetteur, ceci empêchera des fuites.
- Faire attention en contrôlant des piles, ils auront chaud après avoir couru.
- Remplacer n'importe quelles piles qui ont été cabossées ou a éraillé des fils, les court-circuits peuvent causer le feu.
- Etre sûr de garder votre modèle de R/C nettoie et libère de terre et la graisse supplémentaires, ceci augmentera la vie.

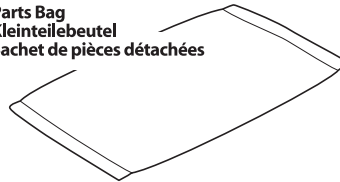
Included items / Im Baukasten enthalten / Outils inclus dans le kit

Radio control car
Ferngesteuertes Modellauto
Voiture radio-commandée

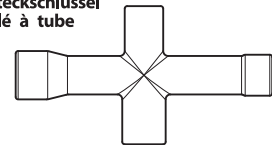


2.4GHz
Transmitter
Sender
Emetteur

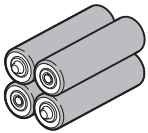
Parts Bag
Kleinteilebeutel
Sachet de pièces détachées



Cross wrench
Steckschlüssel
Clé à tube



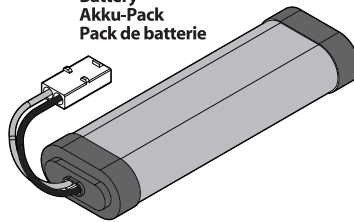
Equipment needed / Benötigtes Zubehör / Equipement nécessaire



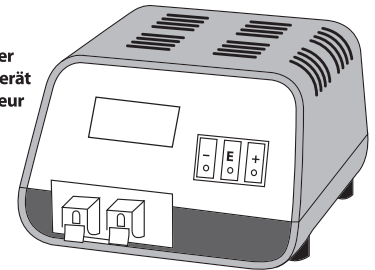
x4

4 AA Alkaline Dry Batteries.
4 St. AA Trockenbatterien.
4 piles type R6 pour votre
radio commande.

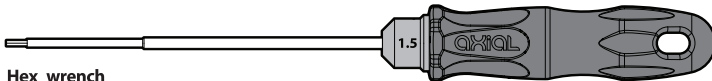
Battery
Akku-Pack
Pack de batterie



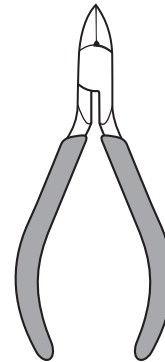
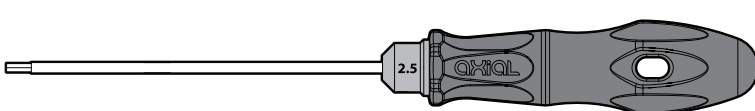
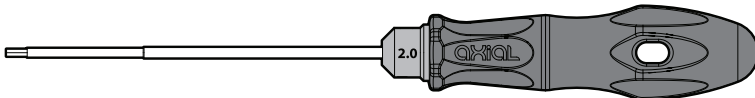
Charger
Ladegerät
Chargeur



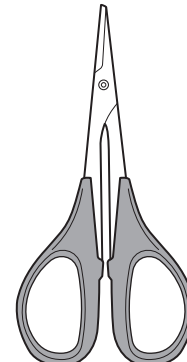
Tools Recommended / Benötigte Werkzeuge / Outillage



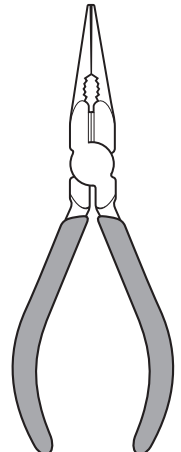
Hex wrench
Inbusschlüssel
Clé Allen



Side cutter
Seitenschneider
Pincès coupantes

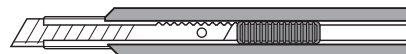


Curved scissors
Schere
Ciseaux

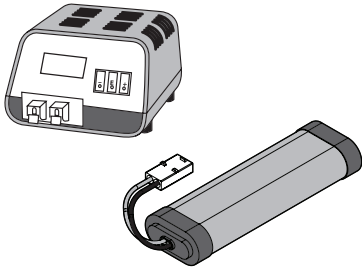


Long nose pliers
Flachzange
Pincès à becs longs

Modeling knife
Modelliermesser
Couteau de modéliste



Charge your battery / Laden des Fahrakkus / Chargement de la batterie



Follow the manufacturer's directions for the charger you purchased to properly charge your batteries.

Folgen Sie den Herstelleranweisungen für den Auflader Ihres gekauften ordentlich, Ihre Batterien zu laden.

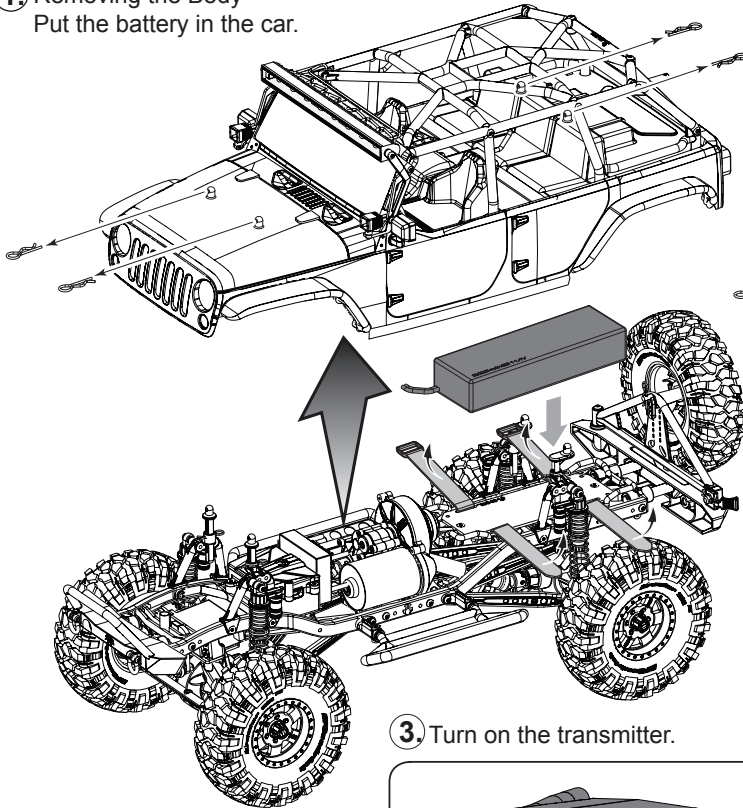
Suivre les directions de fabricant pour le chargeur votre a acheté convenablement pour charger vos piles.

Do not use Nickel Cadmium battery charger for Nickel Metal Hydride batteries. If you do not use the special charger for Nickel Metal Hydride batteries, the batteries will be damaged.

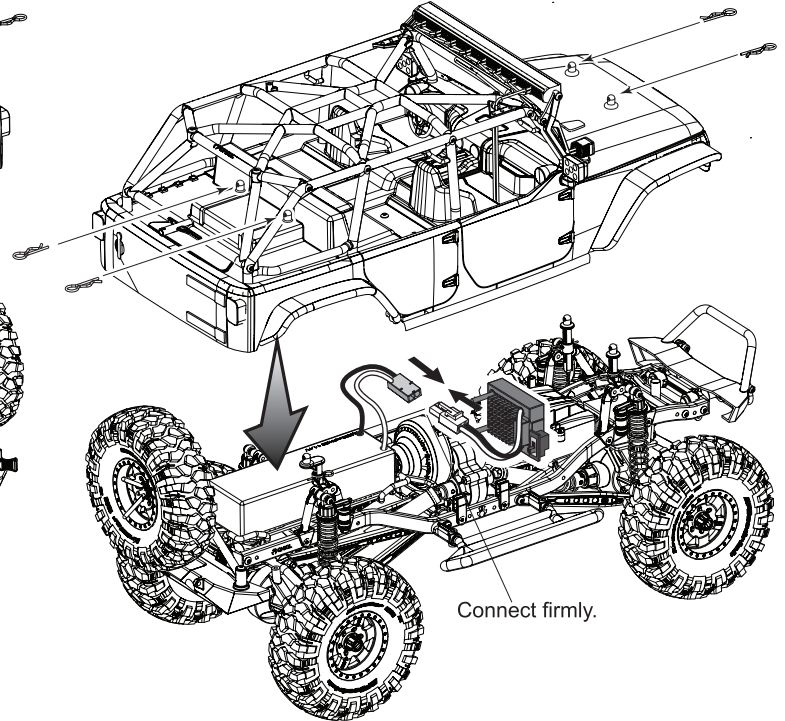
Verwenden Sie kein Ladegerät, dass für Nickel Cadmium Akkus gedacht ist, um Nickel Metal Hydrid Akkus zu laden. Wenn Sie kein spezielles Ladegerät für Nickel Metal Hydrid Akkus verwenden, können diese beschädigt werden.

N'utilisez pas de chargeur pour batteries Cadmium-Nickel pour charger des batteries Nickel-Métal Hydride. Si vous n'utilisez pas un chargeur spécial pour des batteries Nickel-Métal Hydride, celles-ci seront endommagées.

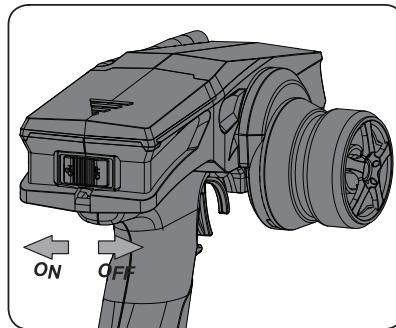
- ① Removing the Body
Put the battery in the car.



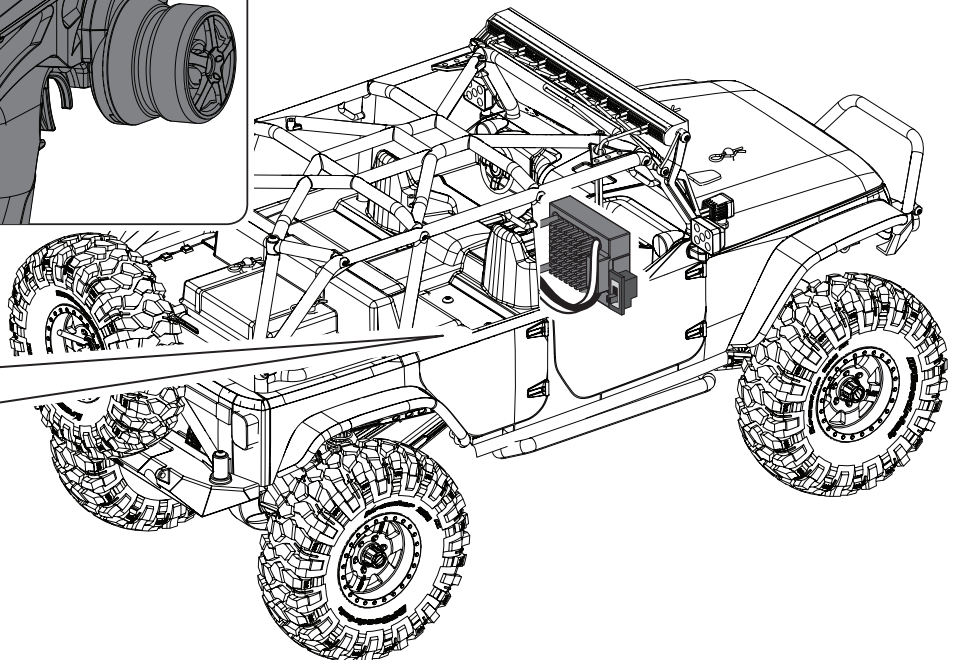
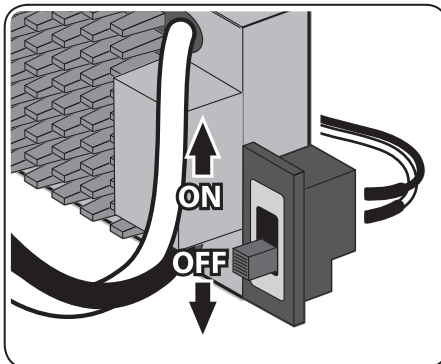
- ② Install the battery
Put back the Body.



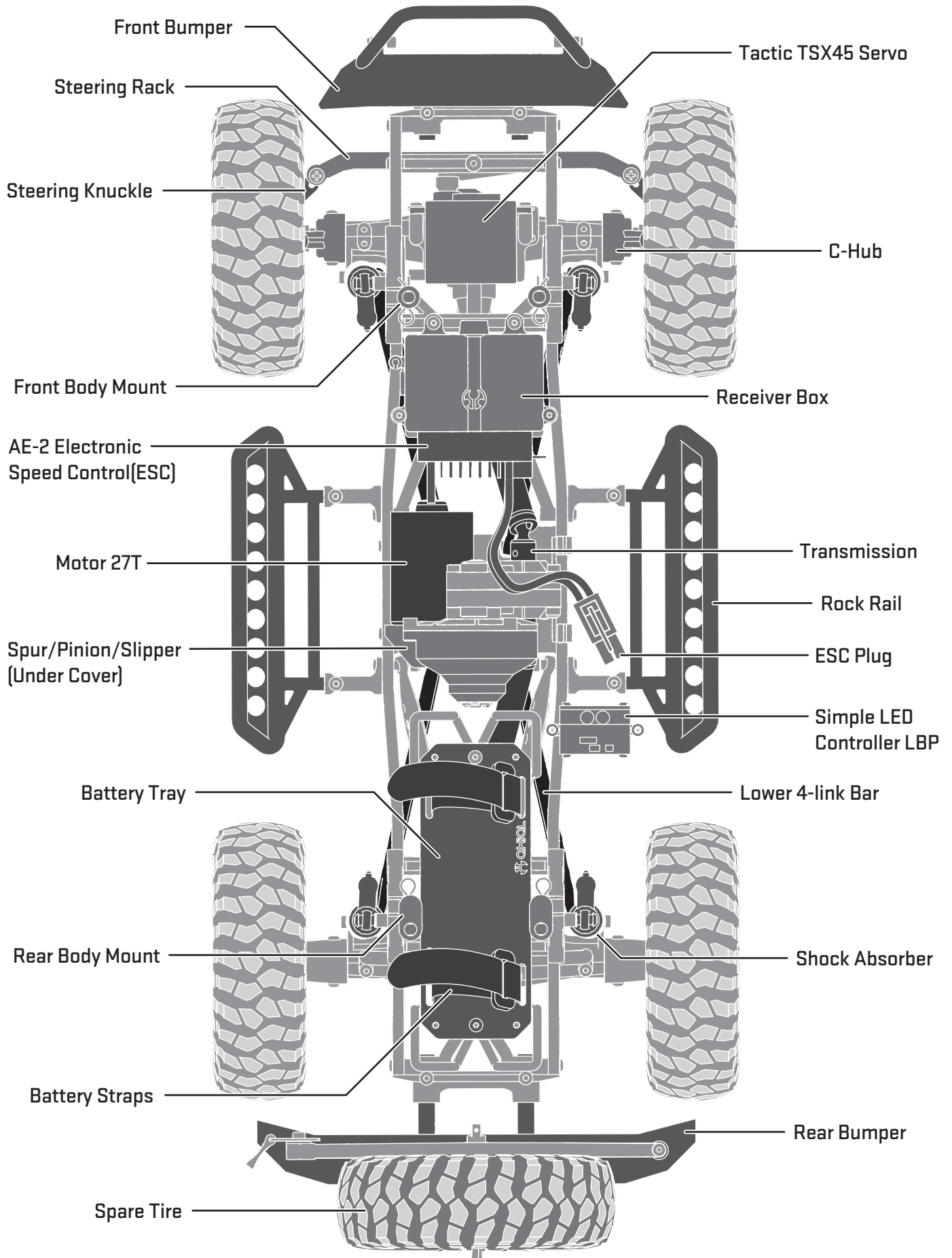
- ③ Turn on the transmitter.



- ④ Turn on the electronic speed controller.

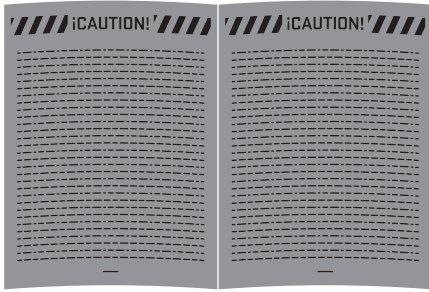


Top View Parts

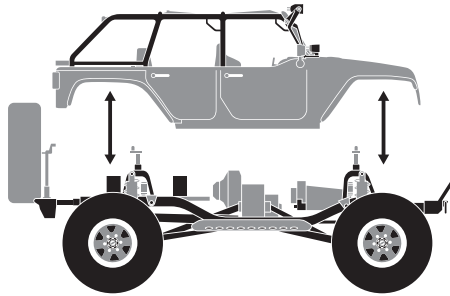


Getting-Started Checklist

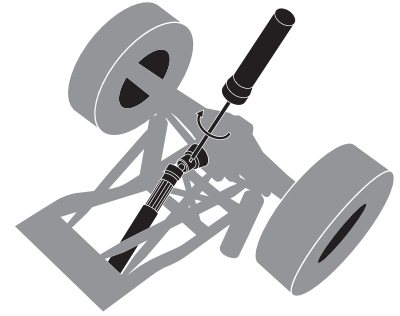
The following checklist is a guide for getting you vehicle running for the first time.



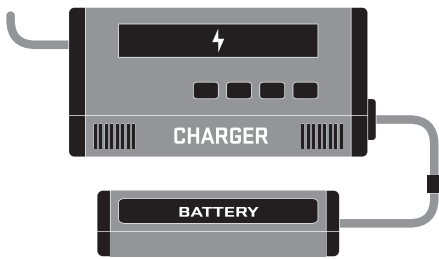
Read 'Cautions' in Manual. (Page 2)



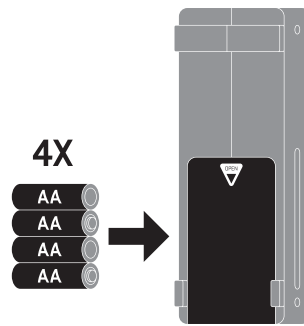
Familiarize yourself with vehicle and its components.



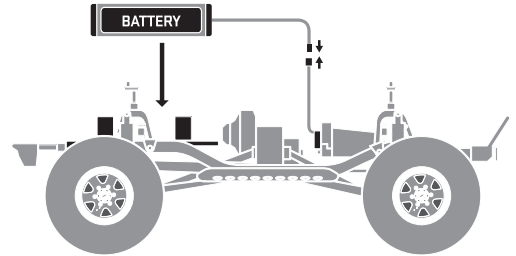
Even though the vehicle is new check driveshaft setscrews and other screws to make sure they are tight from the factory.



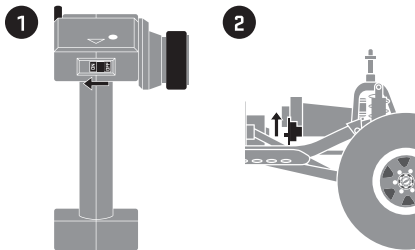
Charge battery pack. (Page 4)



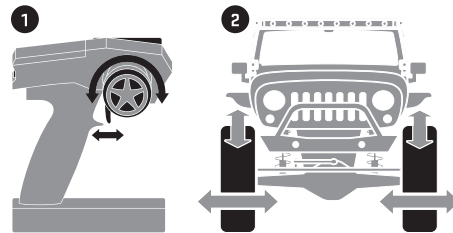
Install 4X AA batteries into Transmitter. (Page 7)



Install battery pack in vehicle. (Page 4)



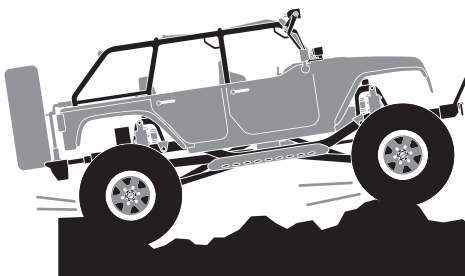
Turn on transmitter FIRST then ESC. (Page 4)



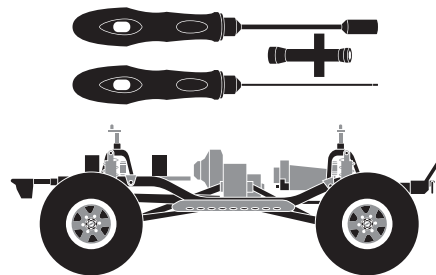
Check to make sure steering and throttle operation work correctly. (Page 7)



Range check radio system. (Next Page)



Drive vehicle, challenge yourself and have fun!



Maintain vehicle. (Next Page)

Range-Checking Your Radio System

The radio system should be checked before operating the vehicle to ensure it's operating properly and has adequate range.



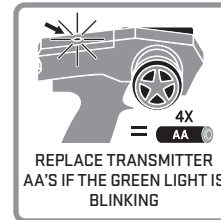
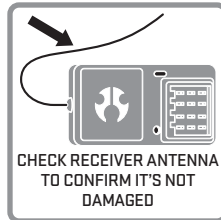
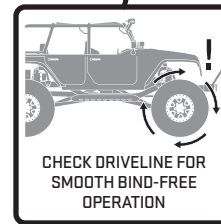
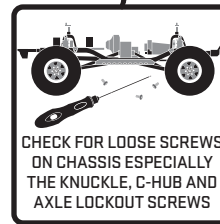
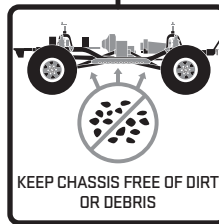
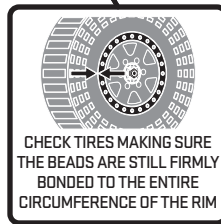
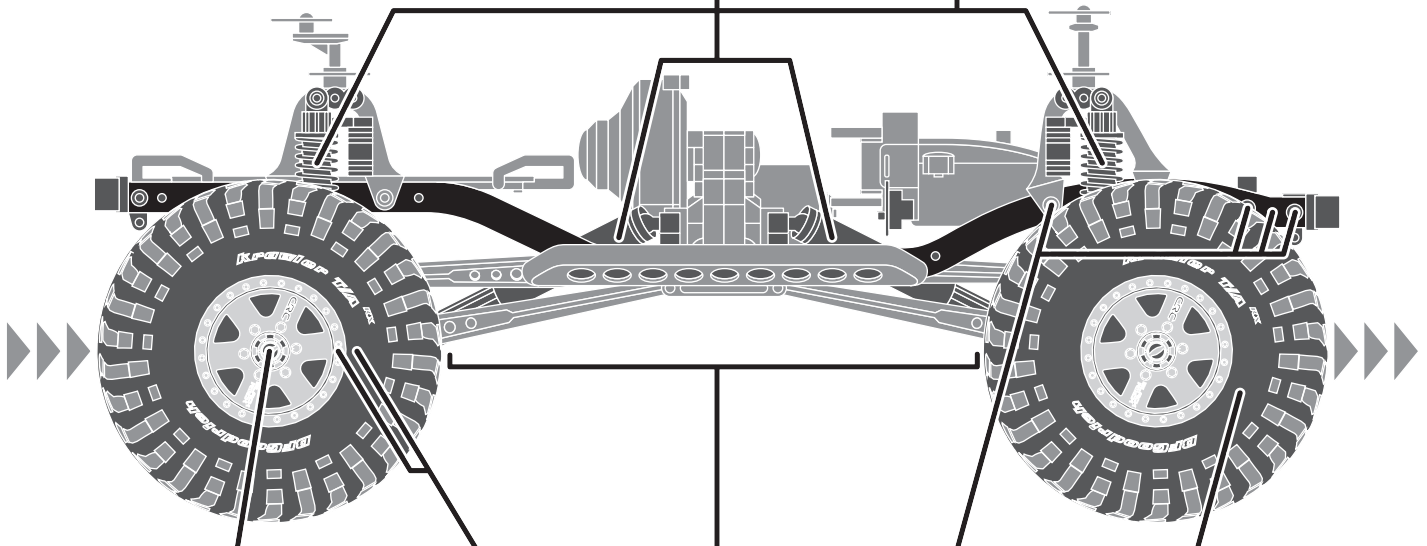
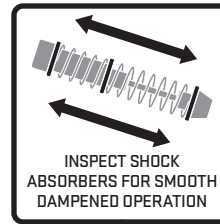
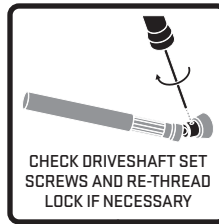
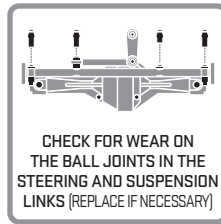
1. Turn on the transmitter first and then the vehicle.
2. Have a friend hold the vehicle while keeping hands and loose clothing away from moving parts.
3. Walk away until you are at the farthest distance you plan to operate the vehicle.
4. Steer the vehicle back and forth and throttle both forward and reverse making sure there is no erratic behavior.
5. If any erratic behavior is exhibited do not operate the vehicle, call customer service for further assistance.



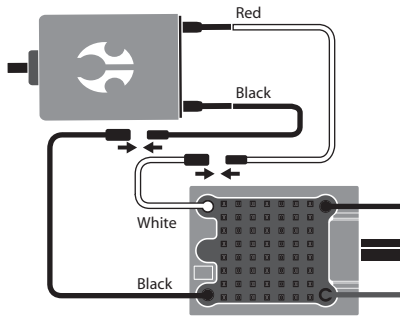
RANGE-CHECKING FOR DISTANCE

Maintaining Your Vehicle

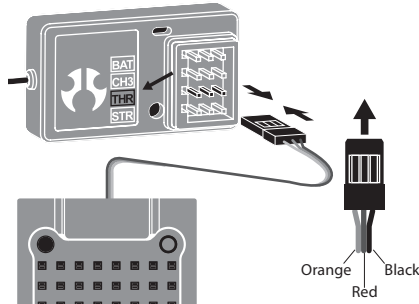
Just like a full size car or truck your RC vehicle must undergo periodic maintenance in order to ensure peak running performance. Preventative maintenance will also help avoid needless breakages which could result in costly repairs. Below are some suggestions to properly maintain your vehicle.



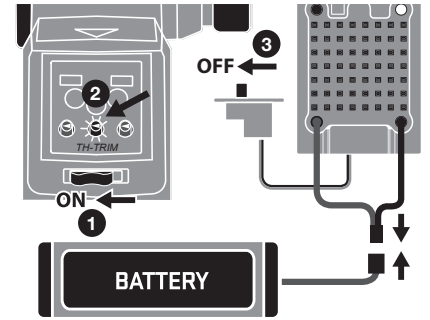
ESC Instructions



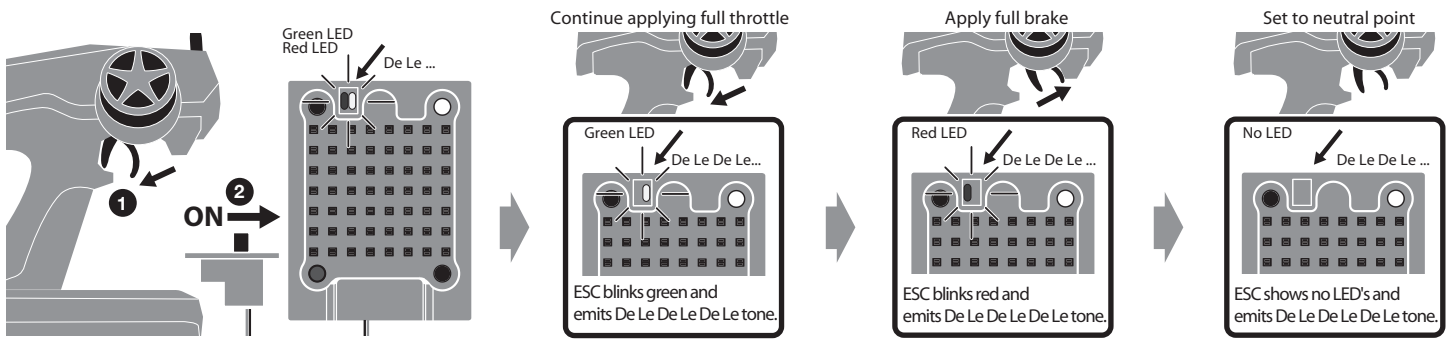
Connect the ESC wires to the motor.



Plug the ESC wire into the throttle channel on the receiver.

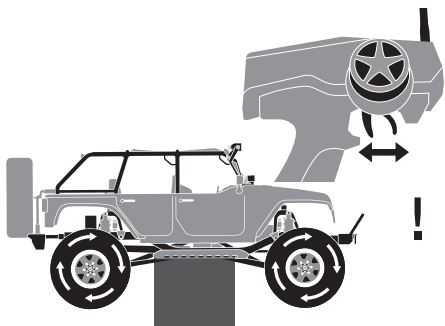


Before plugging the battery into the ESC, make sure your transmitter is on and the throttle trim is set at zero, and the ESC switch in the OFF position.

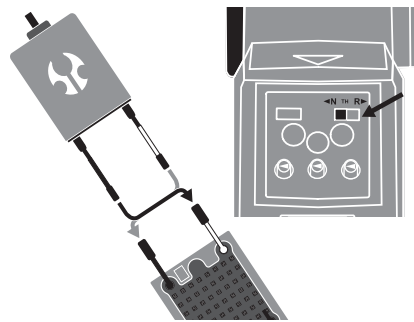


Apply and hold full throttle on the transmitter. Turn on the ESC and it will emit a series of tones, De Le De Le De Le, the red and green LED will flash then only the green LED will remain blinking.

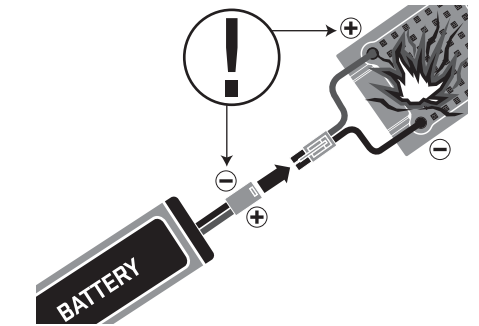
The ESC will emit a final short series of tones, De Le De Le, confirming it has been calibrated.



Apply throttle to make sure the motor is going the direction you wanted.



To reverse the direction of the motor, switch the wires going to the motor. Or reverse the transmitter throttle reverse switch.



Do NOT reverse the battery wire connections! Reversing the battery polarity will permanently damage the ESC.

Specifications:

Input voltage:	6 Cell Ni/2S LiPo
Size:	1.7 in x 1.24 in
Weight:	45 grams
Motor Limit:	19T
On-Resistance FET:	.0018
Rated/Peak Current:	106A Peak
Braking Current:	106A Peak
BEC Voltage/A:	5.0V 2.0A Peak
PWM Frequency:	6 KHZ

Notes:

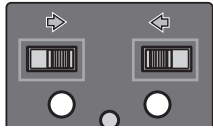
- If ESC setup does not initialize when holding the full throttle, try switching the throttle reversing switch on the transmitter.
- LiPo Cut-Off is set to "ON" from the factory. If you're using NiMH or NiCd batteries turn "OFF" LiPo Cut- Off by visiting the following link for Manually Programming the AE- 2 ESC : <http://www.axialracing.com/instructions>.
- Use the Castle Link to access the advanced settings in the ESC. Visit <http://www.castlecreations.com/> for more information on the Castle Link USB Programming Kit.

CAUTION CONNECT THE BATTERY PACK JUST BEFORE DRIVING AND DISCONNECT IT IMMEDIATELY AFTER. ALWAYS MAKE SURE YOU ARE CONNECTING THE ESC TO A PROPER POWER SOURCE THAT HAS THE CORRECT VOLTAGE & POLARITY. INCORRECT VOLTAGES OR REVERSED POLARITY WILL DAMAGE THE ESC. ONCE THE BATTERY PACK IS CONNECTED, HANDLE THE MODEL WITH EXTREME CARE, MAKE SURE YOU ARE CLEAR OF ALL ROTATING PARTS.

SETUP BEFORE STARTING - EINSTELLUNG VOR DEM START

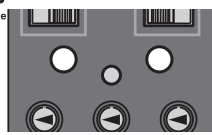
Steering and Throttle Reverse Switch Servo Reverse Schalter

Servo Factory Settings
Beachten Sie die Pfeile für die Servo Grundeinstellung



Binding Button Binding Taster

The other side
Rückseite



ST-D/R Steering Dual Rate Maximaler Lenkausschlag



To be used to adjust steering servo rate and range.
Einstellung des maximalen Lenkausschlags.

Battery Level Indicator Batterie Statusanzeige

Good Batteries
Volle Batterien

Low Batteries
Fast leere Batterien

When the batteries are low the green indicator light will flash.

Throttle Trim Gastrimmung

To be used for trimming the throttle operation.
Wird verwendet um den Gasnullpunkt einzustellen.



Steering Trim Lenktrimmung

To be used for trimming the steering operation.
Wird verwendet, um den Geradeauslauf einzustellen.



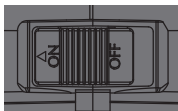
Charger plug in Ladebuchse



※ Rechargeable AA batteries required.
Charger not included. Nutzen Sie diese Ladebuchse nur mit aufladbaren Batterien.

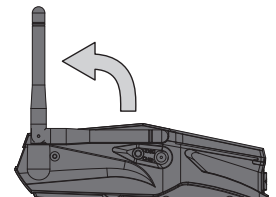
Power Switch Ein/Aus Schalter

ON AN OFF AUS



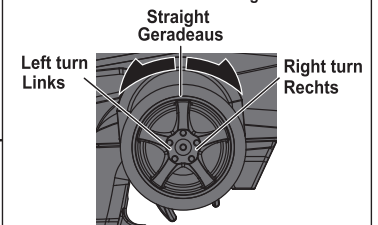
Antenna/Antenne

Flip the antenna up before use



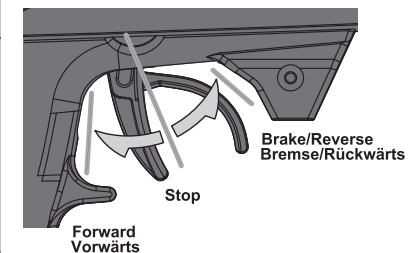
Steering Wheel Lenkrad

To be used for steering operation.
Wird verwendet um das Fahrzeug zu steuern.



Throttle Trigger Gas/Brems Hebel

To be used for throttle operation.
Um das Fahrzeug zu beschleunigen & abzubremsen.



RADIO BINDING INSTRUCTIONS

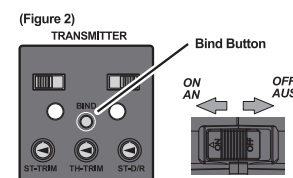
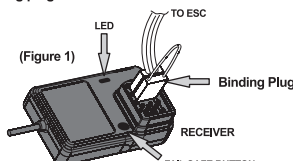
The radio system is bound from the factory so no binding should be necessary. However, if you are matching a new receiver to the transmitter, please follow these steps:

1. Install AA batteries into the transmitter.
2. Insert the binding plug into CH 3 port on the receiver. (Figure 1)
3. Turn on the receiver. You will notice the two LED's are now flashing meaning the receiver is in 'seek' mode and ready to find the transmitter.
4. Press and hold the binding button on the transmitter while turning on the power switch. (Figure 2)
5. The LED's on the receiver should stop flashing indicating it's now bound to the transmitter.
6. Release the binding button on the transmitter and remove the binding plug from the receiver.
7. Turn off the receiver, then turn off the transmitter. Once powered on again, radio binding has been completed.

If the system did not bind please repeat step's 1-7 again or call Axial Customer Service: (877) 64-AXIAL (877-642-9425). NOTE: the AX-3 transmitter will only bind with the AR-3 receiver

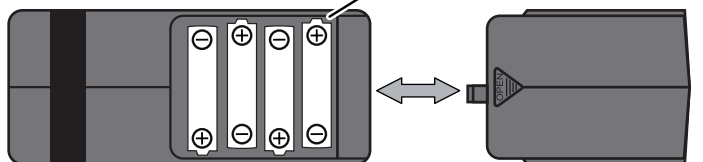
Fail Safe Programming

1. With the radio system bound and powered up, position the throttle trigger to the stop position. For electric applications with drag brake, put the trigger in the stop position. For Nitro applications, position the throttle to apply some amount of brake.
2. With the throttle trigger positioned to desired fail safe position press and hold the button on the receiver until the red LED starts flashing. As soon as it starts flashing release the button; it will then flash for 3 more seconds. Fail safe is now programmed.
3. To test, elevate your vehicle so the tires are off the ground. Apply some throttle and turn the transmitter off. If the throttle returns to neutral within a few seconds, fail safe is programmed correctly. If your vehicle keeps running, fail safe was not programmed correctly; repeat steps 1 and 2.



Battery Cover Batteriefach

4X AA alkaline batteries
4X Pilaas alcalinas AA



Transmitter Battery Installation/Einglegen der Senderbatterien

Open battery cover at bottom of transmitter. Install batteries. Follow the direction of batteries designated in the inside of battery box.
Öffnen Sie das Batteriefach an der Unterseite des Senders. Legen Sie die Batterien entsprechende der angegebenen Polarität ein.

ATTENTION

Do not mix batteries of different ages or types.
Mischen Sie keine Batterien verschiedenen Typs oder Alters.



- NEVER RUN R/C MODEL IN CROWDED AREA OR NEAR SMALL CHILDREN
- PROTECT YOUR SYSTEM FROM MOISTURE
- REMOVE BATTERY FROM R/C MODEL WHEN STORING



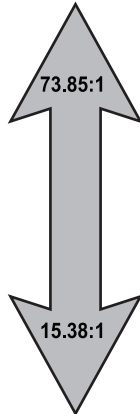
Gear Ratio / Getriebeübersetzung

Use this equation to calculate the final drive ratio.
Final Drive Gear Ratio = 1 / ((pinion/Spur) X .13)

Mit dieser Gleichung können Sie die Gesamtübersetzung berechnen.

Gesamtübersetzung = 1 / ((pinion/Spur) X .13)

Slower - More Torque
Langsamer - Mehr Kraft



Faster - Less Torque
Schneller - Weniger Kraft

		48 Pitch									
		Spur									
		70	72	75	78	81	85	87	90	93	96
Pinion	10								69.23	71.54	73.85
	11								62.94	65.03	67.13
	12							55.77	57.69	59.62	61.54
	13							51.48	53.25	55.03	56.80
	14						46.70	47.80	49.45	51.10	52.75
	15						43.59	44.62	46.15	47.69	49.23
	16						40.87	44.62	43.27	44.71	46.15
	17						36.32	39.37	40.72	42.08	43.44
	18					34.62	34.41	37.18	38.46	39.74	41.03
	19					32.79	34.41	35.22	36.44	37.65	38.87
	20					31.15	32.69	33.46	34.62	35.77	36.92
	21				28.57	29.67	31.14	31.87	32.97	34.07	35.16
	22				27.27	28.32	29.72	30.42	31.47	32.52	33.57
	23				26.09	27.09	28.43	29.10	30.10	31.10	32.11
	24			24.04	25.00	25.96	27.24	27.88	28.85	29.81	30.77
	25			23.08	24.00	24.92	26.15	26.77	27.69	28.62	29.54
	26			22.19	23.08	23.96	25.15	25.74	26.63	27.51	28.40
	27		20.51	21.37	22.22	23.08	24.22	24.79	25.64	26.50	27.35
	28		19.78	20.60	21.43	22.25	23.35	23.90	24.73	25.55	26.37
	29	18.57	19.10	19.89	20.69	21.49	22.55	23.08	23.87	24.67	25.46
	30	17.95	18.46	19.23	20.00	20.77	21.79	22.31	23.08	23.85	24.62
	31	17.37	17.87	18.61	19.35	20.10	21.09	21.59	22.33	23.08	23.82
	32	16.83	17.31	18.03	18.75	19.47	20.43	20.91	21.63	22.36	23.08
	33	16.32	16.78	17.48	18.18	18.88	19.81	20.28	20.98	21.68	22.38
	34	15.84	16.29	16.97	17.65	18.33	19.23	19.68	20.36	21.04	21.72
	35	15.38	15.82	16.48	17.14	17.80	18.68	19.12	19.78	20.44	21.10

Warranty Info

AXIAL LIMITED WARRANTY

Your Axial product is warranted to be free of defects in materials and workmanship when new in the factory sealed box. This warranty does not cover damages due to normal wear and tear, users' failure to perform routine maintenance, error of assembly or installation, modifications or addition of aftermarket parts or option parts. This warranty lasts as long as the original purchaser owns the product and is not transferable (verified by dated itemized sales receipt accompanied with product). In the event of a defect under this warranty, Axial will, at our discretion, repair or replace the product, provided our inspection indicates that an original defect exists. Axial provides a 10-day warranty from the date of purchase on electronics (i.e. servo, esc, radio). Axial reserves the right to replace any product which is no longer available with a product of comparable value and function. If Axial determines the repair is not covered under warranty guidelines, there could be a charge applied for the repair and return shipping charges. Note: Purchasing products from unauthorized distributors may void warranty and prevent support and service.

INTERNATIONAL CUSTOMER WARRANTY

Please return product to the dealer where the purchase was made. If your Axial product purchase was made through an on-line retailer, any warranty issues must be taken care of by that retailer. Axial assumes no responsibility for Axial products sold internationally by on-line retailers.

REPAIR

For warranty repair, please contact Axial Customer Service at (877) 64-AXIAL (877-642-9425).

HOURS AVAILABLE:

8:00 am - 5:00 pm Monday through Friday, Central Time.

Problem
Problem
Problème

Cause
Grund
Cause

Remedy
Lösung
Remède

Does not move
Das Auto fährt nicht
Le véhicule ne bouge pas

Batteries are not installed properly in the transmitter.
Die Batterien sitzen nicht korrekt im Sender.
Les piles ne sont pas placées correctement dans l'émetteur.

Make sure batteries are properly installed.
Legen Sie die Batterien korrekt ein.
Positionnez correctement les piles dans l'émetteur.

Weak or no battery in model.
Leerer oder kein Akku im Auto.
Batterie faible ou non installée

Install charged battery.
Einbauen eines geladenen Akkus.
Mettez en place une batterie chargée

Damaged motor.
Kaputter Motor.
Moteur endommagé

Replace with new motor.
Austausch durch einen neuen Motor.
Remplacez par un nouveau moteur

Frayed or broken wiring.
Beschädigte Verkabelung.
Câble dénudé ou coupe

Splice and insulate wiring completely.
Erneuern und isolieren Sie die kaputte Stelle.
Faites une épissure et isolez complètement le câble.

ESC is shut down by heat protection circuit.
Notabschaltung des Reglers wegen Überhitzung.
Le système ESC est fermé par le circuit de protection thermique.

Stop driving immediately, do not drive the car until the Speed Controller cools down.
Fahren Sie nicht weiter. Warten Sie bis der Fahrten regler abgekühlt ist.
Arrêtez immédiatement de conduire, ne pilotez pas la voiture tant que le contrôleur de vitesse n'a pas refroidi.

No Control.
Keine Kontrolle über das Auto
Pas de contrôle

Improper antenna on transmitter or model.
Zu kurze Antenne am Sender oder Auto.
Antenne inadéquate sur l'émetteur ou le véhicule

Install charged or fresh batteries.
Einbauen voller Batterien.
Mettez des batteries rechargées ou neuves.

Weak or no batteries in transmitter or model.
Leere oder keine Batterien im Sender oder Auto.
Batterie faible ou absente dans l'émetteur ou le véhicule.

Fully extend antenna.
Ziehen Sie die Antenne vollständig aus.
Dépliez complètement l'antenne.

Neutral position or trim is incorrect.
Neutralposition oder Trimmung sind verstellt.
La position neutre est incorrecte ou le trim n'est pas réglé.

Adjust the steering trim.
Stellen Sie die Lenkungstrimmung neu ein.
Réglez le trim de direction.

Are the receiver and battery connections properly connected?
Sind der Empfänger und die Batterieverbindungen ordentlich verbunden?
Son conectadas apropiadamente las conexiones del receptor y la batería?

Check receiver and battery connections.
Prüfen Sie Empfänger und Batterieverbindungen.
Compruebe conexiones de batería y receptor.

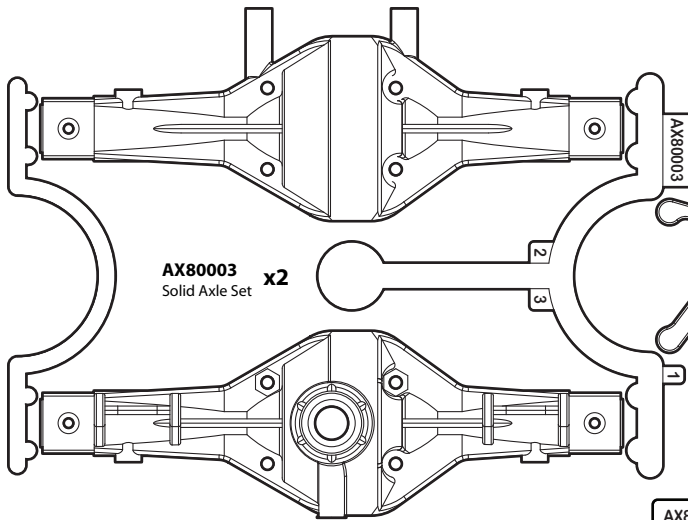
Steering and Throttle Function Reversed.
Lenkung und Gas funktionieren genau verkehrt herum.
Direction et accélération inverses.

Servo reverse switch is in wrong position.
Servorichtungs-Schalter ist in der falschen Position.
L'interrupteur de marche arrière du servo est dans la mauvaise position

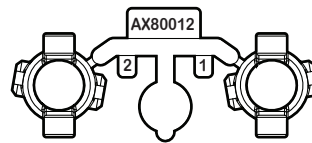
Set to correct position.
Satz, Position zu korrigieren
Vérifiez la position correcte

Please check that the wires from ESC to motor are connected properly.
Bitte überprüfen Sie, ob die Kabel vom Regler zum Motor richtig sitzen.
Veuillez vérifier que les fils allant de l'ESC au moteur sont correctement raccordés.

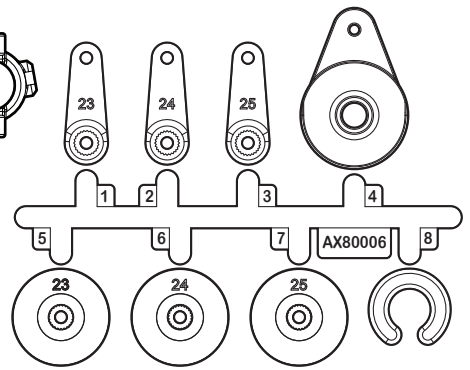
Check to make sure motor and ESC are properly connected.
Kontrolle sich zu vergewissern, dass Motor und ESC ordentlich verbunden sind.
Le contrôle pour assurer que le moteur et ESC est convenablement connecté.



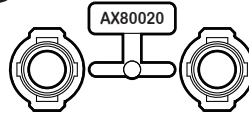
AX80003
Solid Axle Set **x2**



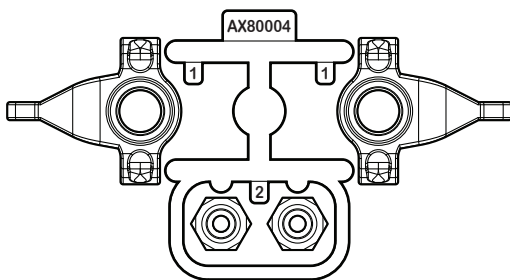
AX80012
C Hub Carrier **x1**



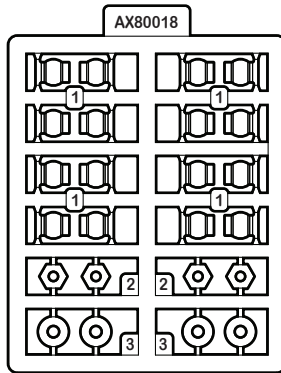
AX80006
Servo Set **x1**



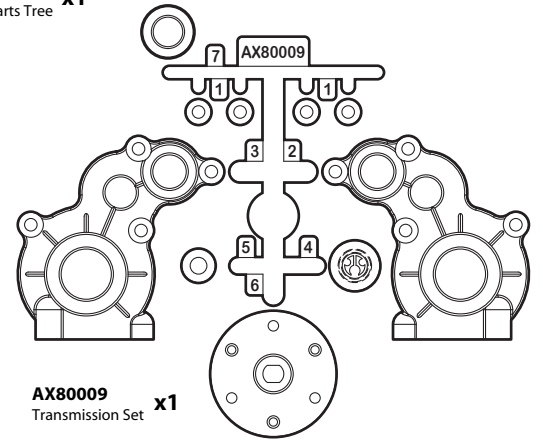
AX80020
Straight Axle Adapter Parts Tree **x1**



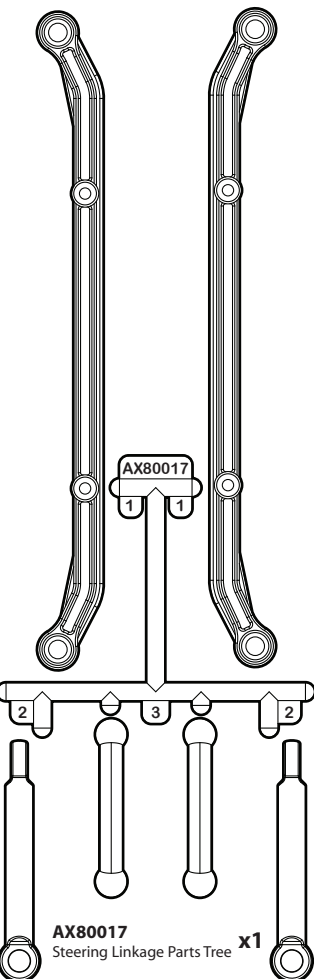
AX80004
Hub Set **x1**



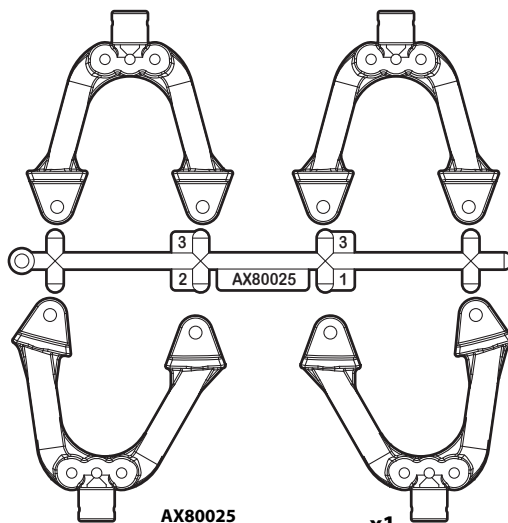
AX80018
Hardware Parts Tree **x2**



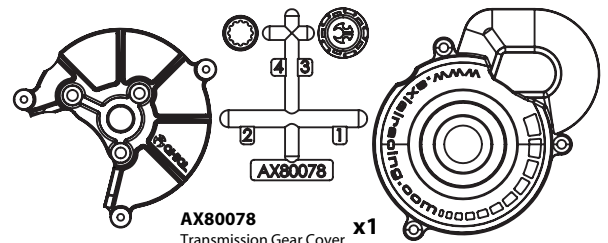
AX80009
Transmission Set **x1**



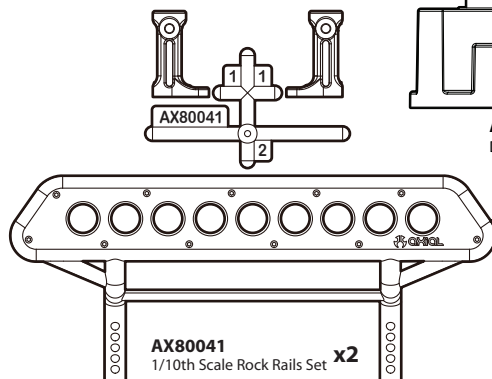
AX80017
Steering Linkage Parts Tree **x1**



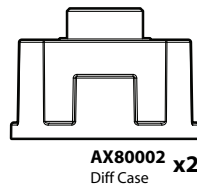
AX80025
SCX10 Shock Hoops Parts Tree **x1**



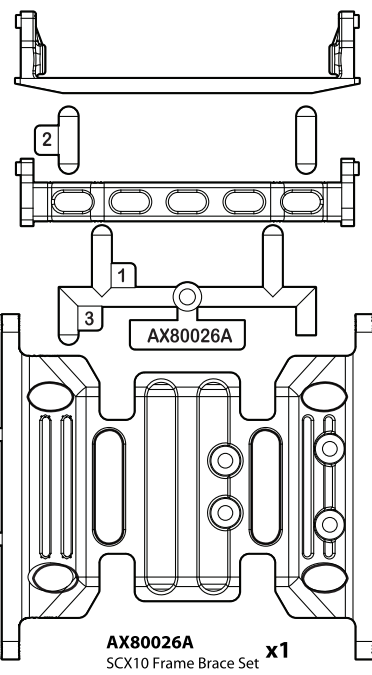
AX80078
Transmission Gear Cover **x1**



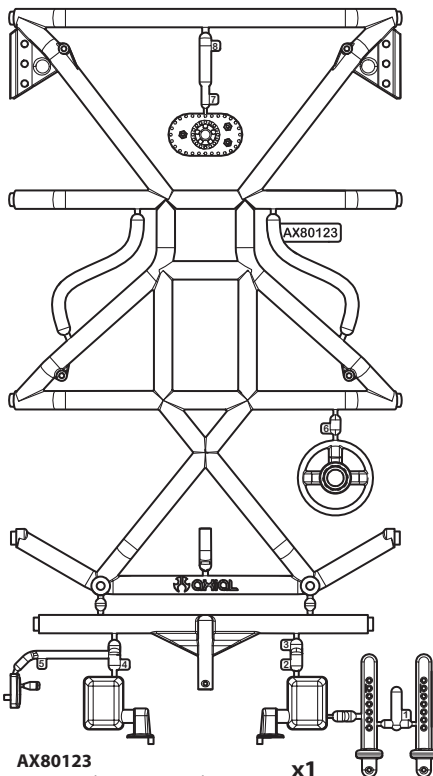
AX80041
1/10th Scale Rock Rails Set **x2**



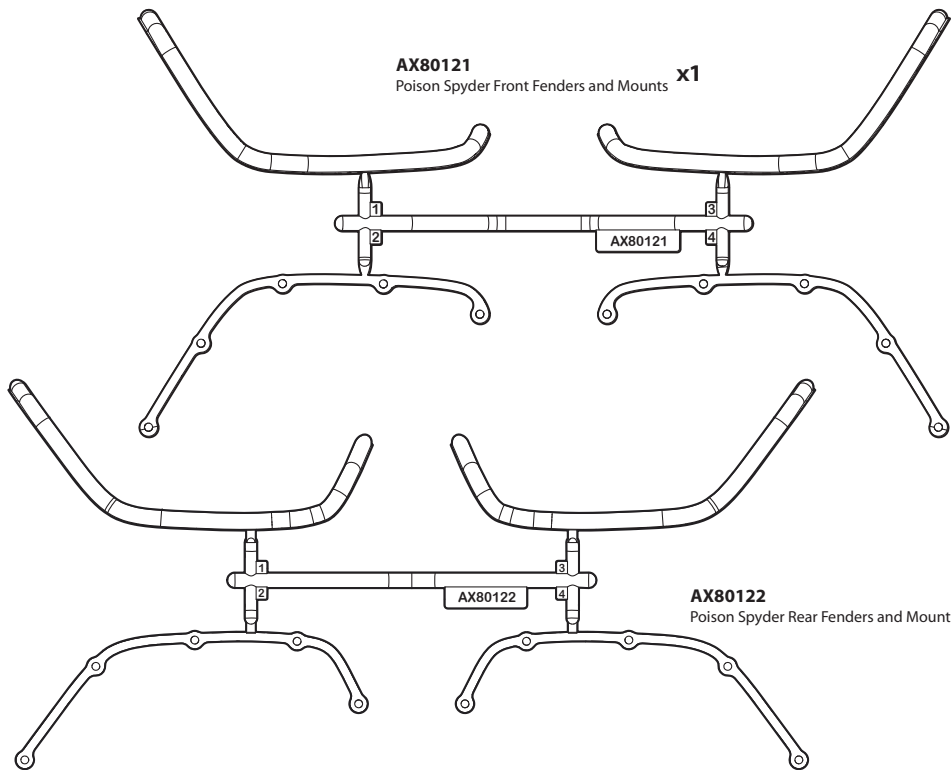
AX80002
Diff Case **x2**



AX80026A
SCX10 Frame Brace Set **x1**

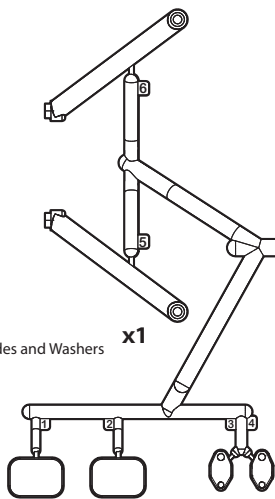


AX80123
Jeep Wrangler Cage Top and Accessories **x1**

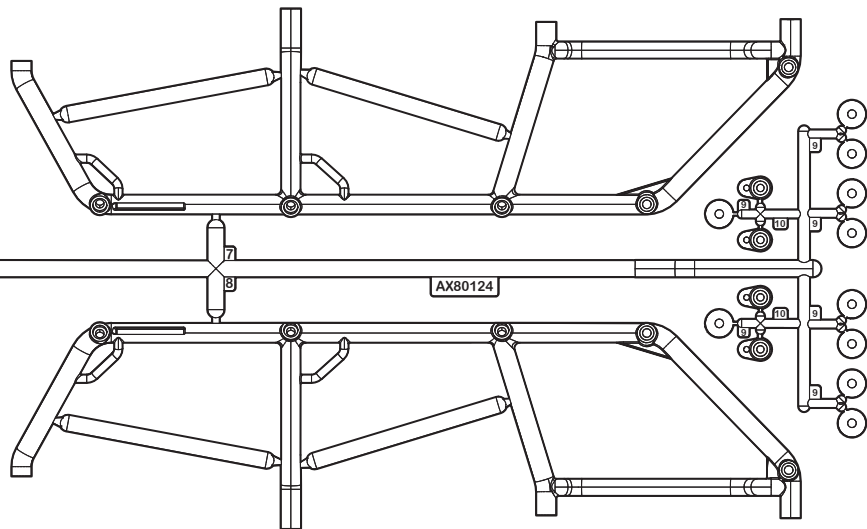


AX80121
Poison Spyder Front Fenders and Mounts **x1**

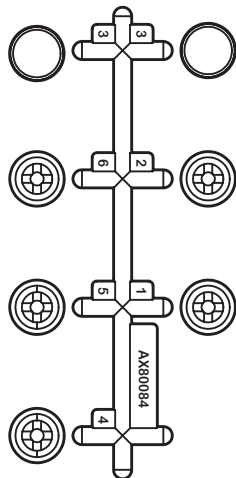
AX80122
Poison Spyder Rear Fenders and Mounts **x1**



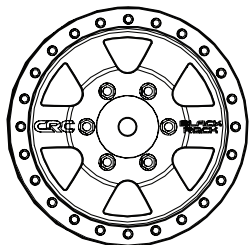
AX80124
Jeep Wrangler Cage Sides and Washers **x1**



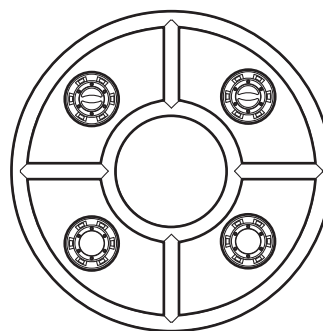
AX80124



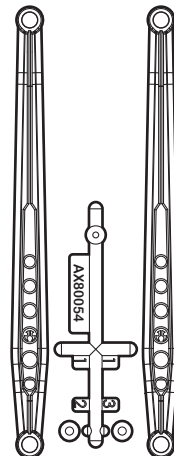
AX80084
UV Joint Driveshafts **x1**



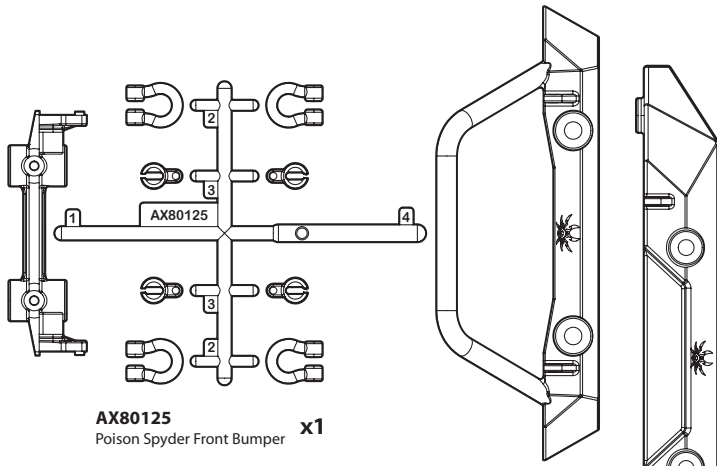
AX31094
1.9 Black Rock Currie Wheel -26mm wide **x5**



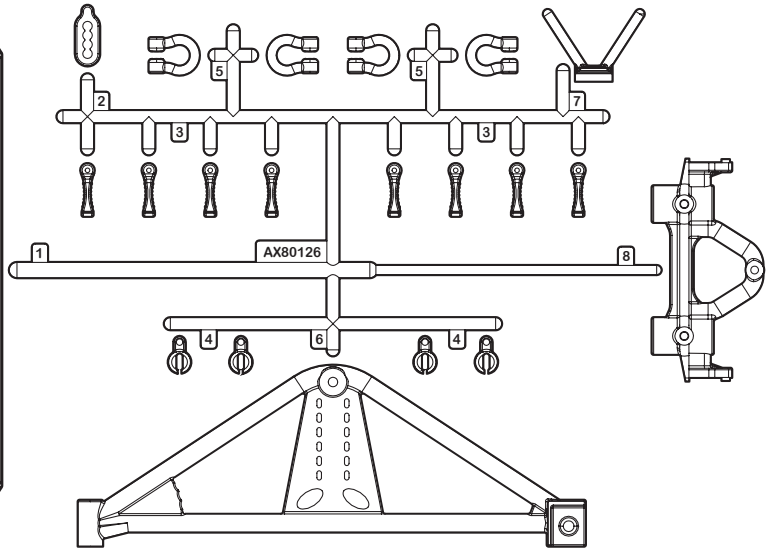
AX8087
Wheel Cap **x1**



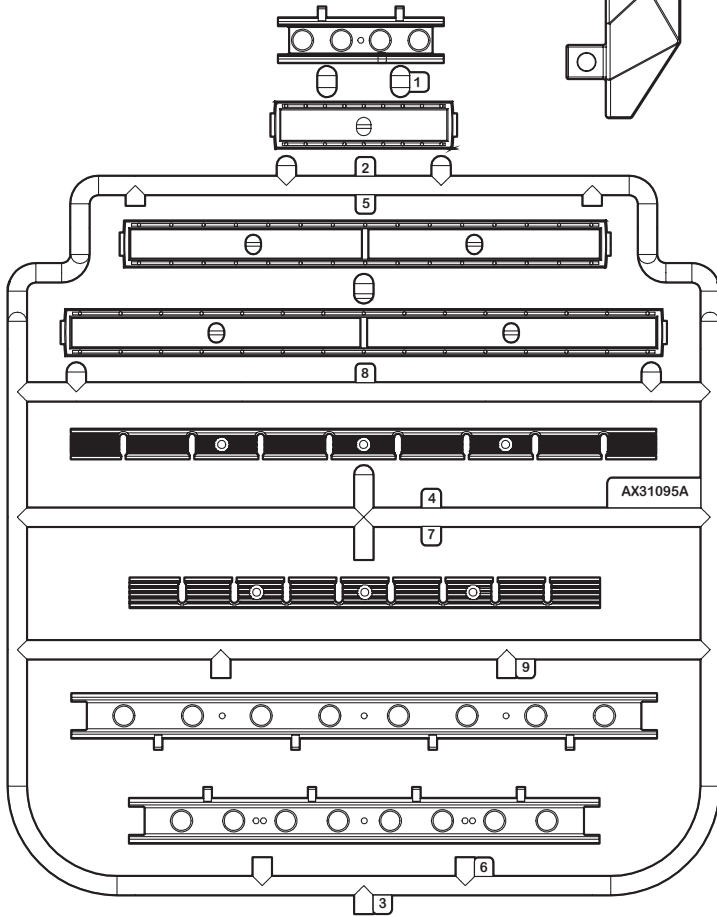
AX80054
SCX10 RTR Links Parts Tree (130mm) **x1**



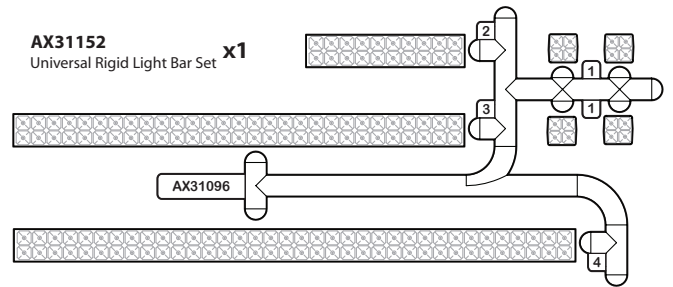
AX80125
Poison Spyder Front Bumper x1



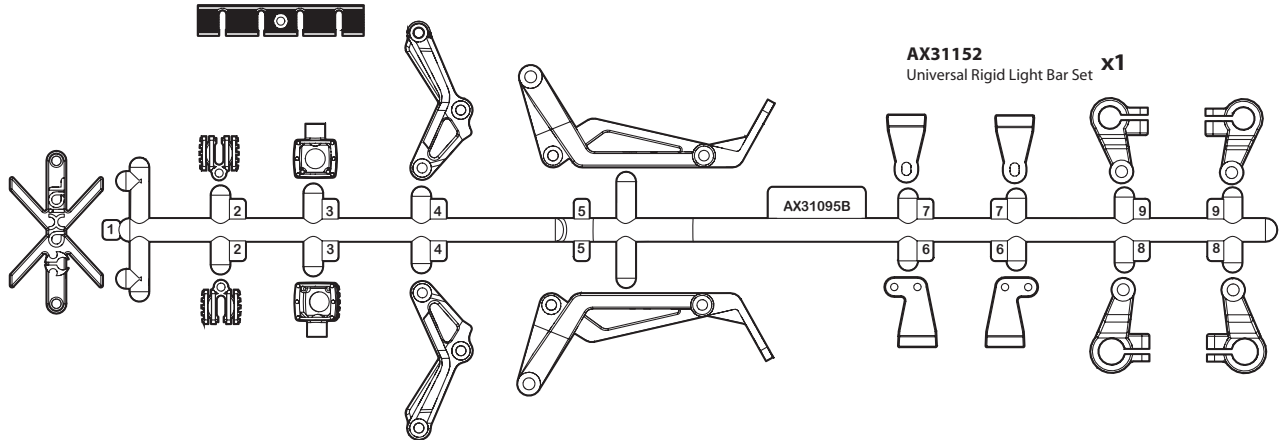
AX80126
Poison Spyder Rear Bumper and Spare Tire Carrier x1



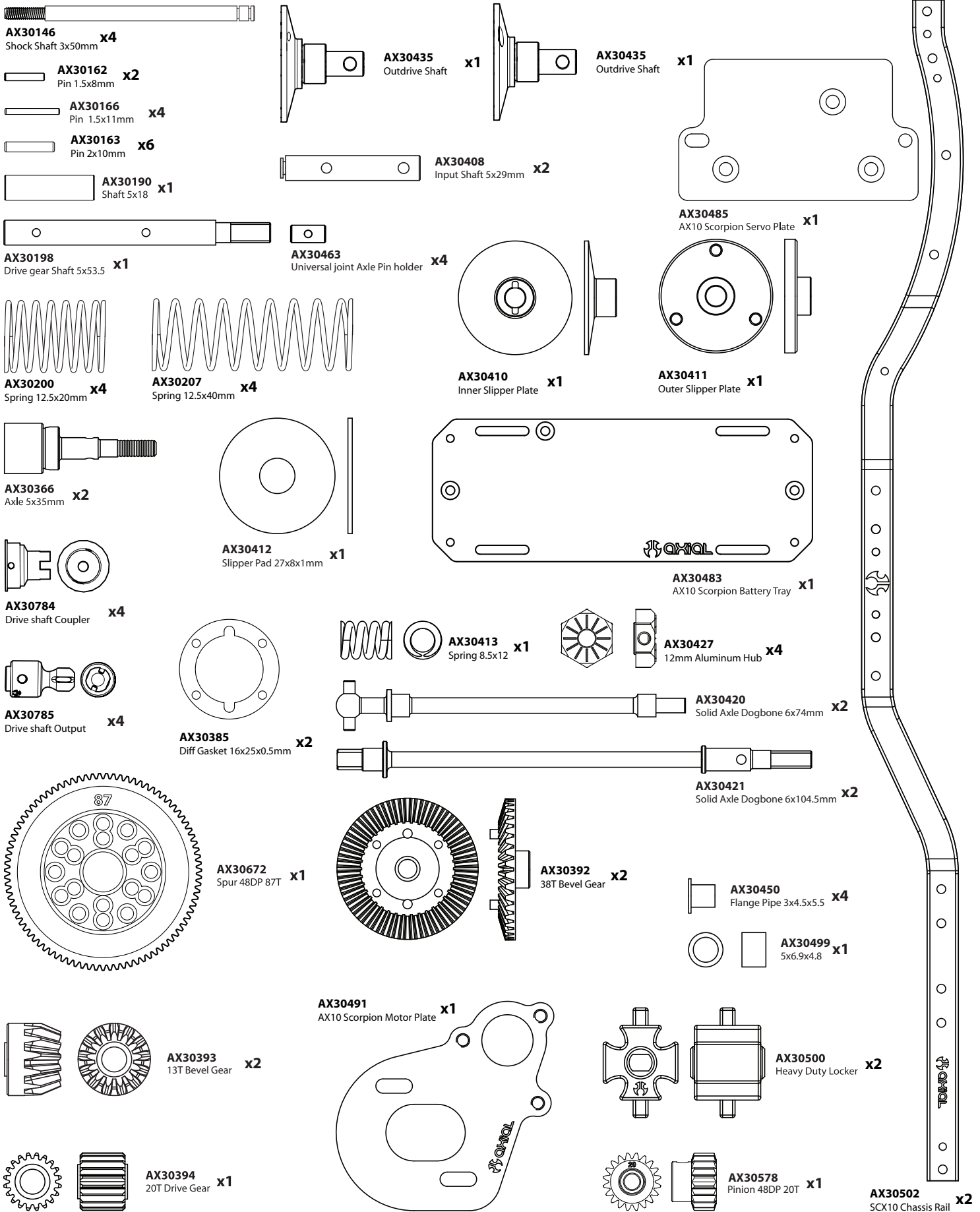
AX31152
Universal Rigid Light Bar Set x1



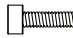
AX31152
Universal Rigid Light Bar Set x1




AX31152
Universal Rigid Light Bar Set x1




 **AXA013**
M2x6mm **x12**

 **AXA015**
M2x10mm **x8**

 **AXA083**
M3x6mm **x5**


 **AXA086**
M3x12mm **x4**

 **AXA087**
M3x16mm **x8**


 **AXA088**
M3x20mm **x1**


 **AXA089**
M3x25mm **x7**


 **AX1045**
M4 Nylon Lock Nut **x5**

 **AXA1053**
M3 Nylon Locking Hex Nut **x15**


 **AXA1059**
6mm Body Clip **x10**

 **AXA1179**
O-Ring 2.5x1.5mm **x8**

 **AXA1070**
Washer 3x6x0.5mm **x6**

 **AXA1071**
Washer 4x8x0.5mm **x1**

 **AXA1091**
Washer 5x10x0.5mm **x1**


 **AXA1163**
O-Ring 7x1mm **x4**

 **AXA1218**
Bearing 5x10x4mm **x4**


 **AXA1221**
Bearing 5x11x4mm **x10**

 **AXA1225**
Bearing 8x16x5mm **x2**

 **AXA1230**
Bearing 10x15x4mm **x6**


 **AXA0109**
M3x10mm **x4**


 **AXA1290**
M3x4x14mm Step Screw **x2**


 **AXA1358**
Shock Damper 3x7x8 **x4**

 **AXA1392**
E2 e-clip **x8**

 **AXA1393**
E2.5 e-clip **x2**

 **AXA176**
M3x2.5x13mm Screw Shaft **x8**

 **AXA0175**
Screw Shaft M3x2.5x11mm **x4**

 **AXA180**
M3x3mm Set Screw **x5**

 **AXA113**
M3x6mm Hex Socket Button Head **x5**

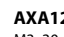
 **AXA117**
M3x15mm Hex Socket Button Head **x1**

 **AXA119**
M3x20mm Hex Socket Button Head **x4**


 **AXA121**
M3x30mm Hex Socket Button Head **x1**

 **AXA144**
M3x8mm Hex Socket Flat Head **x4**


 **AXA0422**
M2.6x6mm Hex Socket Tapping Button Head **x5**

 **AXA0424**
M2.6x10mm Hex Socket Tapping Button Head **x24**

 **AXA0425**
M2.6x12mm Hex Socket Tapping Button Head **x2**

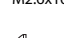
 **AXA433**
M3x6mm Hex Socket Tapping Button Head **x11**


 **AXA434**
M3x8mm Hex Socket Tapping Button Head **x10**

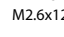
 **AXA435**
M3x10mm Hex Socket Tapping Button Head **x12**

 **AXA436**
M3x12mm Hex Socket Tapping Button Head **x1**

 **AXA437**
M3x15mm Hex Socket Tapping Button Head **x12**

 **AXA438**
M3x18mm Hex Socket Tapping Button Head **x4**

 **AXA439**
M3x20mm Hex Socket Tapping Button Head **x2**

 **AXA440**
M3x25mm Hex Socket Tapping Button Head **x2**

 **AXA443**
M3x40mm Hex Socket Tapping Button Head **x1**

 **AXA0414**
M2.6x10mm Hex Socket Tapping Flat Head **x3**


 **AXA463**
M3x6mm Hex Socket Tapping Flat Head **x3**


 **AXA464**
M3x8mm Hex Socket Tapping Flat Head **x14**


 **AXA465**
M3x10mm Hex Socket Tapping Flat Head **x4**

 AXA466
M3x12mm Hex Socket Tapping Flat Head **x6**

 **AXA434**
M3x8mm Hex Socket Tapping Button Head **x10**


 **AXA435**
M3x10mm Hex Socket Tapping Button Head **x12**


 **AXA436**
M3x12mm Hex Socket Tapping Button Head **x1**


 **AXA437**
M3x15mm Hex Socket Tapping Button Head **x12**

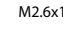
 **AXA438**
M3x18mm Hex Socket Tapping Button Head **x4**

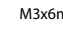
 **AXA439**
M3x20mm Hex Socket Tapping Button Head **x2**

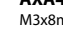
 **AXA440**
M3x25mm Hex Socket Tapping Button Head **x2**

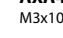
 **AXA0443**
M3x40mm Hex Socket Tapping Button Head **x1**

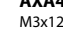
 **AXA0414**
M2.6x10mm Hex Socket Tapping Flat Head **x3**


 **AXA463**
M3x6mm Hex Socket Tapping Flat Head **x3**

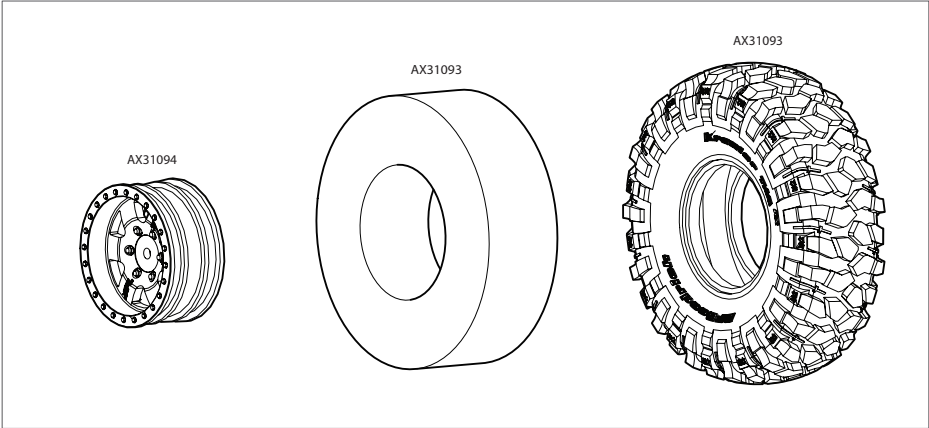
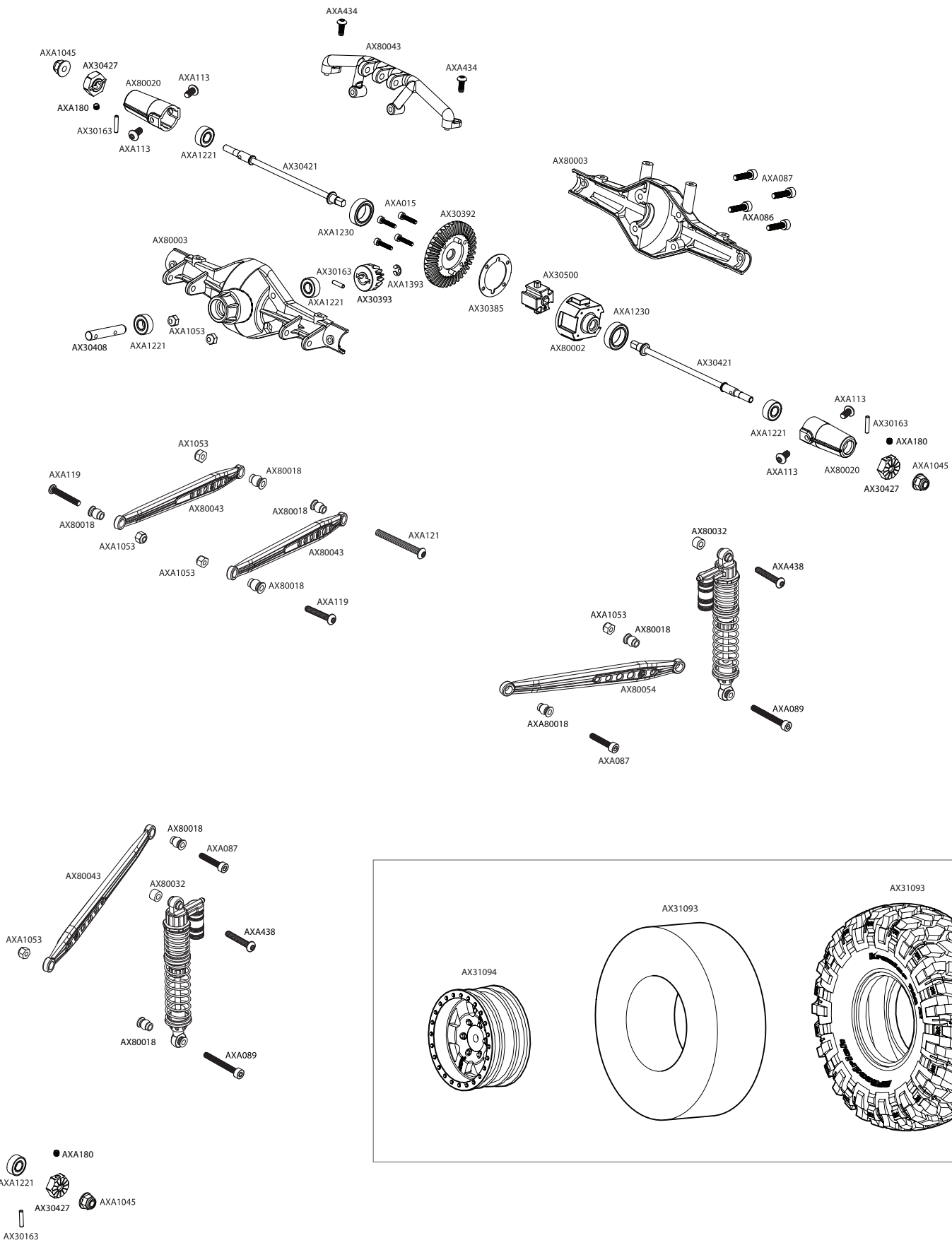
 **AXA464**
M3x8mm Hex Socket Tapping Flat Head **x14**

 **AXA465**
M3x10mm Hex Socket Tapping Flat Head **x4**

 **AXA466**
M3x12mm Hex Socket Tapping Flat Head **x6**

 **AX80010**
Gear Set **x1**

 **AX80010**
Gear Set **x1**



Parts List

Part #	Description	Part #	Description
AX30115	Axial Hard Anodized Aluminum Pre-load collar (2pcs)	AX4025	Axial Trail Honcho Truck Body - .040" uncut (Clear) w/Molded Rear Cage
AX30117	Axial Hard Anodized Aluminum Shock Body 10x38mm (2pcs)	AX4025R	Axial Trail Honcho Truck Body - .040" uncut (Clear) - Body Only
AX30130	Icon Clear Anodized Aluminum Shock Body 10x38mm (2pcs)	AX04034	2012 Jeep Wrangler Unlimited Rubicon™ Roof - .040" (Clear)
AX30131	Icon Clear Anodized Aluminum Shock Reservoir (2pcs)	AX04035	2012 Jeep Wrangler Unlimited Rubicon™ Body - .040" (Clear) - Complete
AX30132	Machined Shock Piston 7mm - 1.5x3 (4pcs)	AX80037	Interior Details Parts Tree - Black
AX30201	Spring 12.5x20mm 4.32 lbs/in - Soft (White) - (2pcs)	AX80038	Exterior Detail Parts Tree - Black
AX30202	Spring 12.5x20mm 5.44 lbs/in - Medium (Green) - (2pcs)	AX80039A	1/10th Scale Front Plate Bumper Set
AX30203	Spring 12.5x20mm 6.53 lbs/in - Firm (Yellow) - (2pcs)	AX80039B	1/10th Scale Rear Plate Bumper Set
AX30204	Spring 12.5x20mm 7.95 lbs/in - Super Firm (Blue) - (2pcs)	AX80040	1/10th Scale Fender Flare Set (2pcs)
AX30205	Spring 12.5x40mm 2.7 lbs/in - Super Soft (Red) - (2pcs)	AX80047	Interior Details Parts Tree - Chrome
AX30206	Spring 12.5x40mm 3.6 lbs/in - Soft (White) - (2pcs)	AX80048	Exterior Detail Parts Tree - Chrome
AX30208	Spring 12.5x40mm 5.44 lbs/in - Firm (Yellow) - (2pcs)	AX80049	Axial LED Lens Set - Yellow/Clear (4pcs)
AX30209	Spring 12.5x40mm 6.81 lbs/in - Super Firm (Blue) - (2pcs)	AX80051	Dig Transmission Case
AX30395	Heavy Duty Bevel Gear Set - 38T/13T	AX80068	Dig Linkage Set
AX30401	Heavy Duty Bevel Gear Set - 36T/14T	AX80085	Universal Mount 5 Bucket Light Bar (Black)
AX30402	Heavy Duty Bevel Gear Set - 43T/13T	AX80086	Light Bar Lenses (Clear) (5pcs)
AX30414	AX10 Scorpion Slipper Clutch Set	AX80128	Wheel Hub Adapters (2pcs Narrow, 2pcs Wide)
AX30426	Steering Upgrade Kit	AX08138	1.9 Walker Evans Street Wheel - Black (2pcs)
AX30437	Dig Lockout Shaft	AX8080	Axial Hub Cover Set - Satin Chrome (4pcs)
AX30464	AX10 Scorpion Universal Set (2pcs)	AX8087	Axial 1.9 8 Hole Beadlocks - Black (2pcs)
AX30484	Transmission Spacer	AX8088	Axial 1.9 8 Hole Beadlocks - Satin Chrome (2pcs)
AX30487	AX10 Locked Transmission Set	AX8122	Axial 1.9 Beadlock Ring - Grey (2pcs)
AX30488	AX10 Locked Axle Set	AX8127	Axial 1.9 Rock Beadlock Ring - Grey (2pcs)
AX30489	Transmission Spacer 5x6.9x4.8mm	AXA1046	M4 Serrated Nylon Lock Nut (Blue) (4pcs)
AX30494	Aluminum Rear Axle Lockout (2pcs)	AXA1076	Cap Head Washer M3x10mm (4pcs)
AX30495	Aluminum C Hub Carrier - Black (2pcs)	AXA1101	Cone Washer 3x6.9x2mm (6pcs)
AX30496	Aluminum Knuckle - Black (2pcs)	AXA1104	Cone Washer 3x6.9x2mm - Orange (6pcs)
AX30498	Transmission Spacer - Grey	AXA1105	Cone Washer 3x6.9x2mm - Grey (6pcs)
AX30516	Threaded Aluminum Pipe 6x106mm - Grey (2 pcs.)	AXA1331	Flanged Ball 3x5.8x7mm (6pcs)
AX30517	Threaded Aluminum Pipe 6x33mm - Grey (2pcs.)	AXA1412	0.5x6mm Spacer - Grey (6pcs)
AX30518	Threaded Aluminum Pipe 6x98mm - Grey (2pcs.)	AXA1413	1x6mm Spacer - Grey (6pcs)
AX30547	1.9 Internal Wheel Weight Ring 43g/1.5oz (2pcs)	AXA1414	2x6mm Spacer - Grey (6pcs)
AX30548	1.9 Internal Wheel Weight Insert 9g/0.33oz (4pcs) (for use with AX30547)	AXA1415	3x6mm Spacer - Grey (6pcs)
AX30550	SCX10 TR Links Set - 12.3" (313mm) WB	AXA1416	4x6mm Spacer - Grey (6pcs)
AX30569	Pinion 48P 14T - Steel	AXA1417	5x6mm Spacer - Grey (6pcs)
AX30571	Pinion 48P 13T - Steel	AXA1418	6x6mm Spacer - Grey (6pcs)
AX30572	Pinion 48DP 14T	AXA1419	7x10mm Post - Grey (2pcs)
AX30573	Pinion 48P 15T - Steel	AXA1420	7x15mm Post - Grey (2pcs)
AX30665	Spur 48DP 80T	AXA1421	7x20mm Post - Grey (2pcs)
AX30708	AX10 Locked Transmission - Complete Metal Gear Set - Steel (3pcs)	AXA1422	7x25mm Post - Grey (2pcs)
AX30709	Universal 5 Bucket Light Bar Set	AXA1423	7x30mm Post - Grey (2pcs)
AX30786	WB8 Driveshaft Retainer Ring (Aluminum) (2pcs)	AXA1424	7x35mm Post - Grey (2pcs)
AX30793	Dig Component Set	AXA1425	7x40mm Post - Grey (2pcs)
AX30794	WB8 Driveshaft Set (2pcs)	AXA1426	7x45mm Post - Grey (2pcs)
AX30834	Aluminum Servo Horn 23T	AXA1427	7x50mm Post - Grey (2pcs)
AX30835	Aluminum Servo Horn 24T	AXA1428	7x55mm Post - Grey (2pcs)
AX30836	Aluminum Servo Horn 25T	AXA1429	7x60mm Post - Grey (2pcs)
AX30860	Machined Motor Plate (Hard Anodized)	AXA1430	7x65mm Post - Grey (2pcs)
AX4010	Axial Dingo Truck Body - .040" uncut (Clear)	AXA1431	7x70mm Post - Grey (2pcs)
AX4010R	Axial Dingo Truck Body - .040" uncut (Clear) - Body Only		

NOTES

DON'T SETTLE FOR *NORMAL BEHAVIOR*

©2013 Axial R/C, Inc. A subsidiary of Hobbico, Inc. All Rights Reserved.



READY TO RUN

**AX10™ DEADBOLT™ 1/10th SCALE
ELECTRIC 4WD #AX90033**

OFFICIALLY LICENSED TECHNICAL PARTNERS:



www.axialracing.com

SCX10

THE OFFICIAL TRUCK OF THE R.E.C.O.N. G6 CHALLENGE™



AWCC 2011



SCX10™ FEATURES:

- > SCALE LOOKS WITH METAL TO MATCH!!!
- > TRUE STEEL C-CHANNEL FRAME
- > SOLID AXLE DESIGN WITH HARDENED STEEL INNER AXLES FRONT AND BACK
- > TRUE RING AND PINTON MECHANICAL DIFFERENTIALS
- > COIL OVER SHOCKS
- > STRONG 4X4 TRANSMISSION / TRANSFER CASE ALL-IN-ONE
- > FULL METAL BEARINGS IN AXLES AND TRANSMISSION - RUBBER SEALED FOR MAXIMUM PROTECTION

If you are looking for adventure, the RECON G6 Challenge™ is where it's at. RECON G6 Challenge™ events deliver excitement and push boundaries; always bringing the elements of what a real adventure should deliver - the unknown!

The coolest thing about participating in the G6 Challenge™ is that it is not about the podium, it's all about the finish. It's about the massive amount of drive time and persevering to survive the unknown-uncatched; and then sharing stories at the end of the day - "How in the heck did you clear TM-24 on the 100-course?" "Did you see that Bender-6X walk-it?!" "Did you get passed by the Swanson Swagger!?"

For adventure G6'ers, the rougher and less traveled, the better! It is the adventure of a lifetime for man and scale machine against the elements. The G6 is about battling the course with your comrades, work as an individual or help your fellow G6'ers to overcome the obstacles; survival is the name of the game!

In an adventure, chasing the unknown requires confidence. Confidence = reliability = SCX10™. The Axial SCX10™ - the official truck of the RECON G6 Challenge™!

Visit our blog and start the adventure!



THE SCX10™ MODEL RANGE:



AX90021
DINGO™
KIT (UNASSEMBLED)



AX90022
TRAIL HONCHO™
RTR (READY-TO-RUN)



AX90027
JEEP WRANGLER
UNLIMITED RUBICON
KIT (UNASSEMBLED)



AX90028
JEEP WRANGLER
UNLIMITED RUBICON
RTR (READY-TO-RUN)

© 2013 Axial R/C Inc. A subsidiary of Hobbico, Inc.
Jeep and the Jeep grille are registered trademarks of Chrysler Group LLC and are used under license. ©2013 Chrysler Group LLC.



www.axialracing.com

OFFICIALLY LICENSED TECHNICAL PARTNERS:



EXPLORE

facebook.com/axialinc | twitter.com/axialrc | youtube.com/axialvideos | flickr.com/axialrc



8 GOODYEAR
SUITE 125
IRVINE, CA 92618

Jeep and related logos, vehicle model names and trade dresses are trademarks of Chrysler Group LLC and used under license by Axial R/C Inc. © Chrysler Group LLC 2014.

BFGoodrich® Tires and KRAWLER™ T/A® Trademarks are used under License from Michelin

AX90035-1001

www.axialracing.com